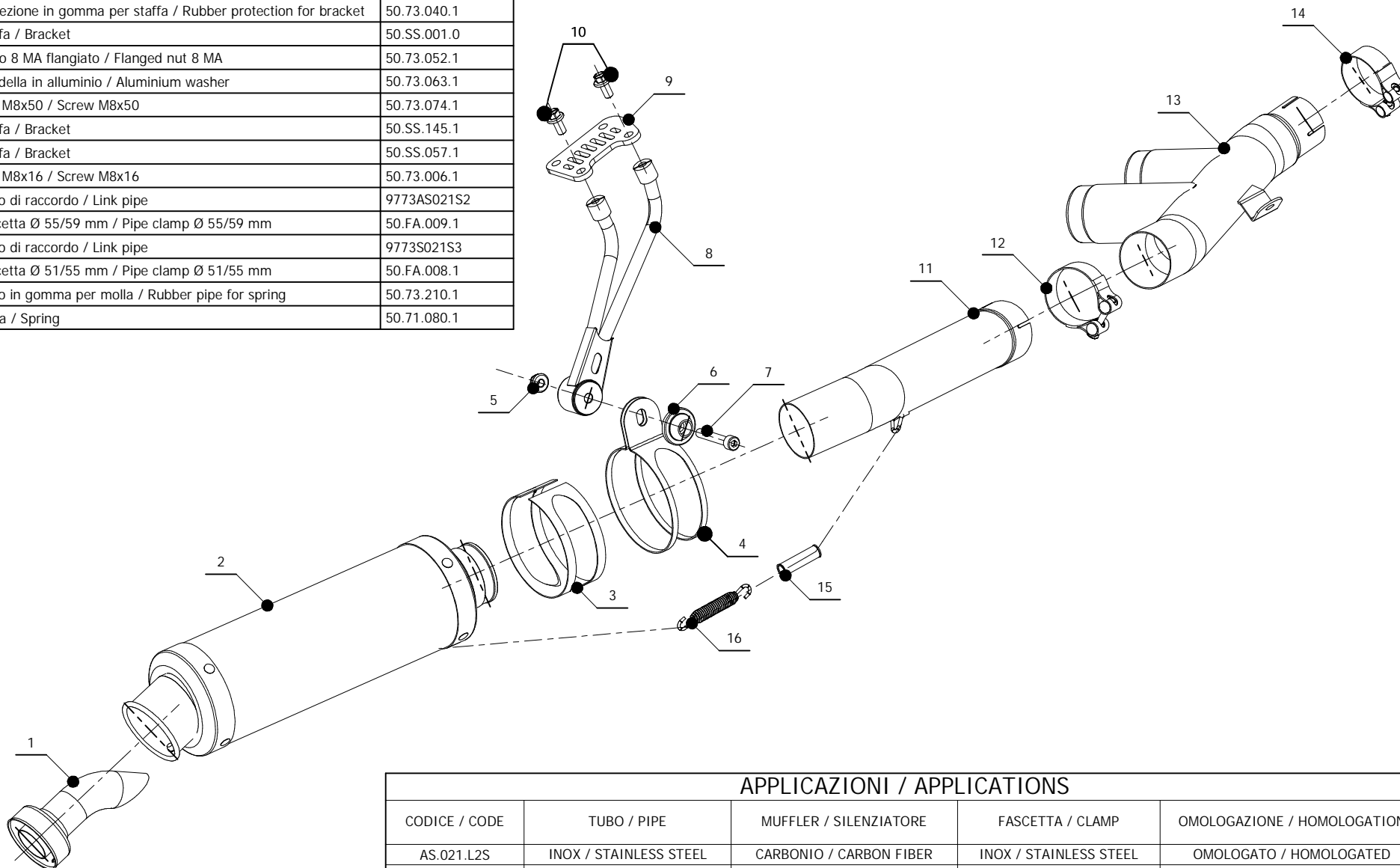


**ELENCO PARTI / PARTS LIST**

#	QTA / QTY	DESCRIZIONE / DESCRIPTION	CODICE / CODE
1	1	DB killer / DB killer	50.DK.020.0
2	1	Silenziatore / Muffler	GP
3	1	Protezione in gomma per staffa / Rubber protection for bracket	50.73.040.1
4	1	Staffa / Bracket	50.SS.001.0
5	1	Dado 8 MA flangiato / Flanged nut 8 MA	50.73.052.1
6	1	Rondella in alluminio / Aluminium washer	50.73.063.1
7	1	Vite M8x50 / Screw M8x50	50.73.074.1
8	1	Staffa / Bracket	50.SS.145.1
9	1	Staffa / Bracket	50.SS.057.1
10	2	Vite M8x16 / Screw M8x16	50.73.006.1
11	1	Tubo di raccordo / Link pipe	9773AS021S2
12	1	Fascetta Ø 55/59 mm / Pipe clamp Ø 55/59 mm	50.FA.009.1
13	1	Tubo di raccordo / Link pipe	9773S021S3
14	1	Fascetta Ø 51/55 mm / Pipe clamp Ø 51/55 mm	50.FA.008.1
15	1	Tubo in gomma per molla / Rubber pipe for spring	50.73.210.1
16	1	Molla / Spring	50.71.080.1


**APPLICAZIONI / APPLICATIONS**

CODICE / CODE	TUBO / PIPE	MUFFLER / SILENZIATORE	FASCETTA / CLAMP	OMOLOGAZIONE / HOMOLOGATION
AS.021.L2S	INOX / STAINLESS STEEL	CARBONIO / CARBON FIBER	INOX / STAINLESS STEEL	OMOLOGATO / HOMOLOGATED
AS.021.L6S	INOX / STAINLESS STEEL	TITANIO / TITANIUM	INOX / STAINLESS STEEL	OMOLOGATO / HOMOLOGATED