



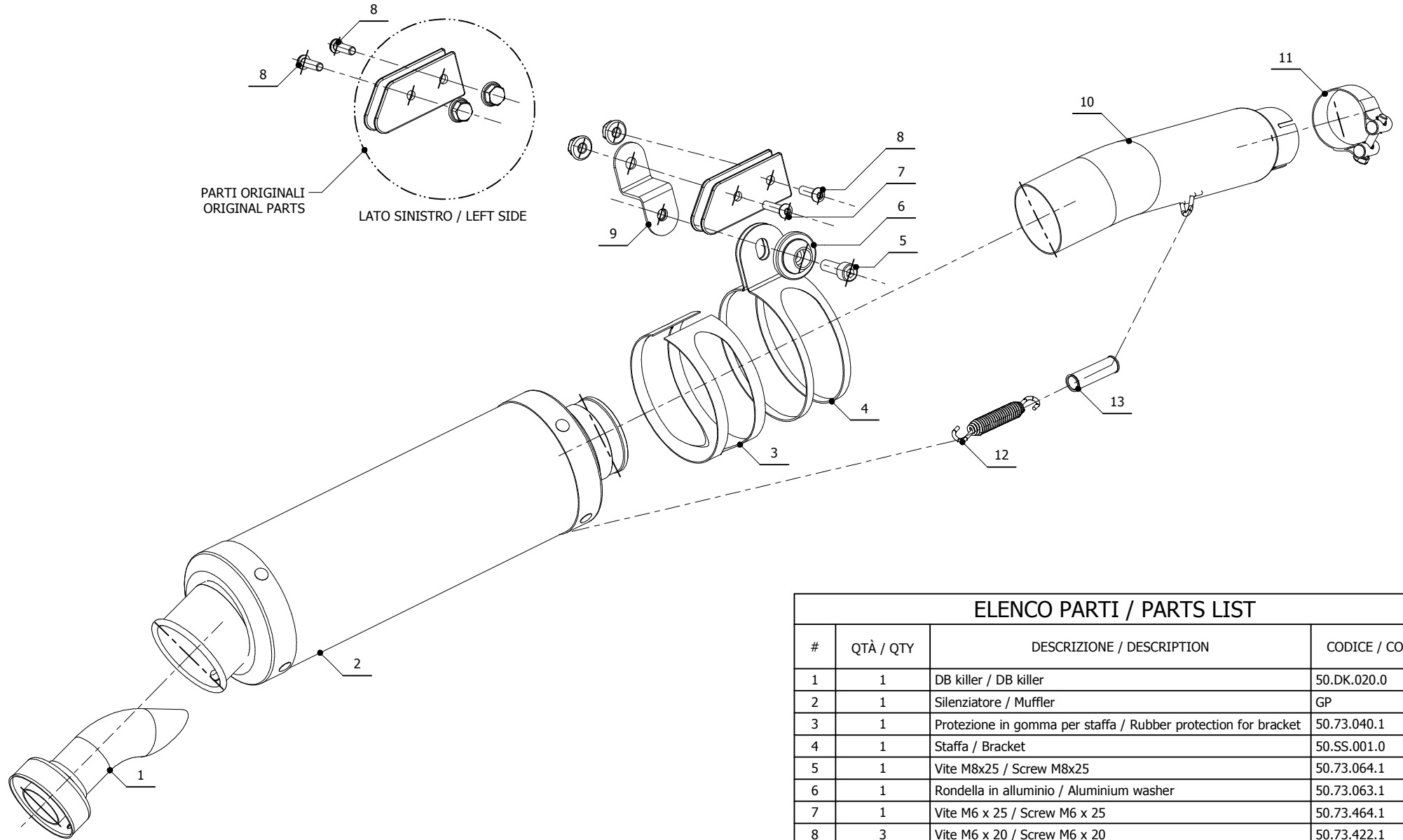
MODEL HONDA HORNET 600

YEAR 2007-->

LINE SPORT

MUFFLER GP

SCHEMATIC



ELENCO PARTI / PARTS LIST

| # | QTÀ / QTY | DESCRIZIONE / DESCRIPTION | CODICE / CODE |
|----|-----------|--|---------------|
| 1 | 1 | DB killer / DB killer | 50.DK.020.0 |
| 2 | 1 | Silenziatore / Muffler | GP |
| 3 | 1 | Protezione in gomma per staffa / Rubber protection for bracket | 50.73.040.1 |
| 4 | 1 | Staffa / Bracket | 50.SS.001.0 |
| 5 | 1 | Vite M8x25 / Screw M8x25 | 50.73.064.1 |
| 6 | 1 | Rondella in alluminio / Aluminium washer | 50.73.063.1 |
| 7 | 1 | Vite M6 x 25 / Screw M6 x 25 | 50.73.464.1 |
| 8 | 3 | Vite M6 x 20 / Screw M6 x 20 | 50.73.422.1 |
| 9 | 1 | Staffa / Bracket | 50.SS.091.0 |
| 10 | 1 | Tubo di raccordo / Link pipe | 9773H038S2 |
| 11 | 1 | Fascetta Ø 44/47 mm / Pipe clamp Ø 44/47 mm | 50.FA.006.1 |
| 12 | 1 | Molla / Spring | 50.71.080.1 |
| 13 | 1 | Tubo in gomma per molla / Rubber pipe for spring | 50.73.210.1 |

APPLICAZIONI / APPLICATIONS

| CODICE / CODE | TUBO / PIPE | SILENZIATORE / MUFFLER | FASCETTA / CLAMP | CODICE OMOL. / HOMOL. CODE |
|---------------|------------------|-------------------------|------------------|----------------------------|
| H.038.L2S | INOX / ST. STEEL | CARBONIO / CARBON FIBER | INOX / ST. STEEL | ME047 e9 1356 |
| H.038.L6S | INOX / ST. STEEL | TITANIO / TITANIUM | INOX / ST. STEEL | ME047 e9 1356 |