

DUCATI SCRAMBLER (WITH HYDRAULIC CLUTCH)

M O U N T I N G I N S T R U C T I O N S

REF 20509

HANDGUARDS

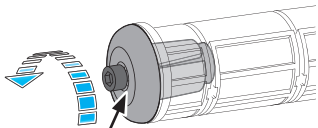


ID	PIEZA/PART	DESCRIPCIÓN	DESCRIPTION	QTY	REF
1		Paramanos derecho	Right handguard	1	20509JM3
2		Pieza derecha anclaje manillar Ø6,5 (se suministra montada)	Ø6.5 right handlebar anchoring part (supplied mounted with handguard)	1	20509JM3
3		Paramanos izquierdo	Left handguard	1	20509JM3
4		Pieza izquierda anclaje manillar Ø6,5 (se suministra montada)	Ø6.5 left handlebar anchoring part (supplied mounted with handguard)	1	20509JM3
5		Soporte metálico derecho (·)	Right metal support (·)	1	SOPOR2P2-R20509
6		Soporte metálico izquierdo (··)	Left metal support (··)	1	SOPOR2P2-L20509
7		Tornillo Allen M8x45 DIN912	M8X45 DIN912 Screw	2	TORNI-AD912-508
8		Tuerca autoblocante M8	M8 locking nut	2	TUEA-D985.8-M8-
9		Arandela de nylon M5x1 (se suministra montada)	M5x1 Nylon washer (se suministra montada)	6	ARNV00000000245
10		Arandela de goma Ø4,5 x Ø11 x 2mm (se suministra montada)	Ø4,5 x Ø11 x 2mm Nylon washer (supplied mounted with handguard)	4	ARAND-EPDM--722
11		Arandela de goma Ø4,5 x Ø14 x 4mm	Ø4,5xØ14 x 4mm Rubber washer	2	ARAND-GD13D5X4-
12		Tornillo Allen M6x40 DIN7991	M6X40 DIN7991 Allen screw	2	TORNIAD7991-377
13		Tornillo Allen M5x11 Ø11 ISO 7380 (se suministra montado)	M5X11 Ø11 ISO7380 Allen screw (supplied mounted with handguard)	4	TORNI-AI----520
14		Arandela de plástico Ø30 x Ø6	Ø30 x Ø6 plastic washer	2	ARAND-PN6X30-67
15		Tapón tornillo M5 ISO 7380	M5 ISO 7380 Allen screw cap	6	TAPON-----85
16		Tornillo Allen M5x16 Ø11 ISO 7380	Allen screw M5x16 Ø11 ISO 7380	2	TORNI-I7380-493
17		Tuerca grafilada M5 (se suministra montada)	M5 special nut (supplied mounted)	4	TUERC-D6923-255
18		Kit adhesivos	Stickers set	1	ADHESI-----234

DUCATI SCRAMBLER (WITH HYDRAULIC CLUTCH)

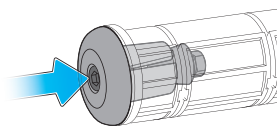
INSTRUCCIONES DE MONTAJE - MOUNTING INSTRUCTIONS - MONTAGEANLEITUNG

1.1



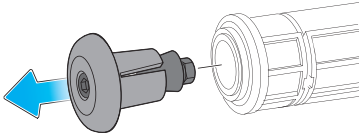
NO SOBREPASAR LA PIEZA DE PLÁSTICO
DO NOT SURPASS THE PLASTIC ITEM

1.2

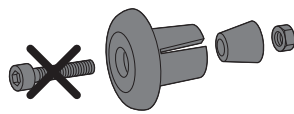


PRESIONAR EL TORNILLO PARA DESBLOQUEAR EL CONTRAPESO
PRESS THE BOLT TO UNBLOCK THE BAR END

1.3

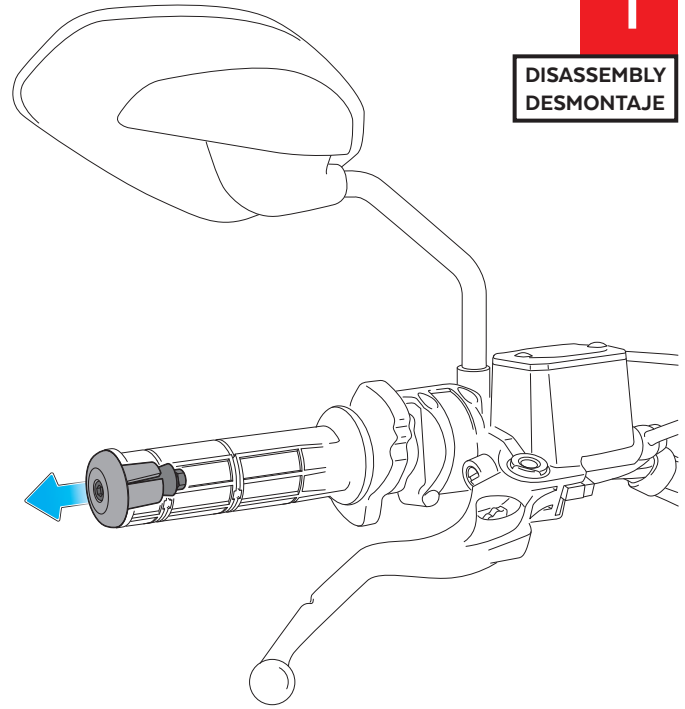


1.4



1

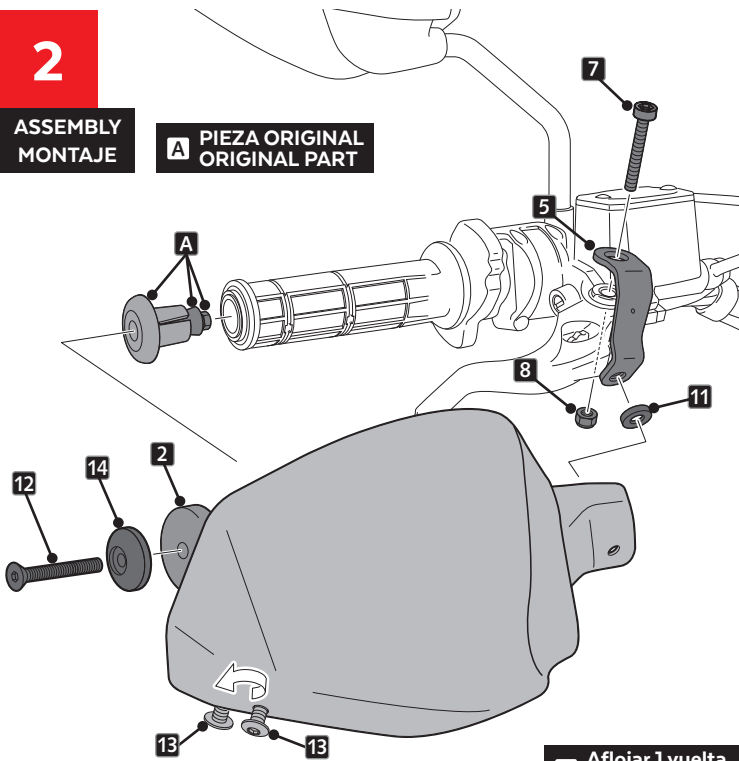
DISASSEMBLY
DESMONTAJE



2

ASSEMBLY
MONTAJE

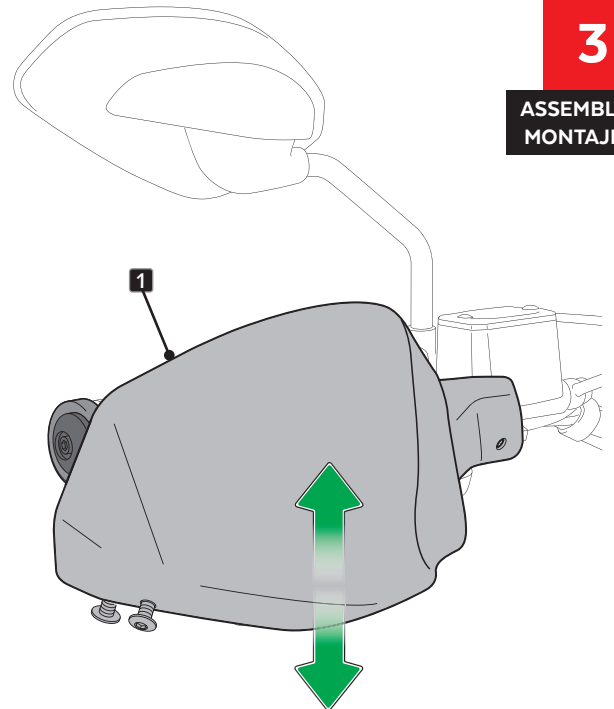
A PIEZA ORIGINAL
ORIGINAL PART



18 Aflojar 1 vuelta
Loose one turn

3

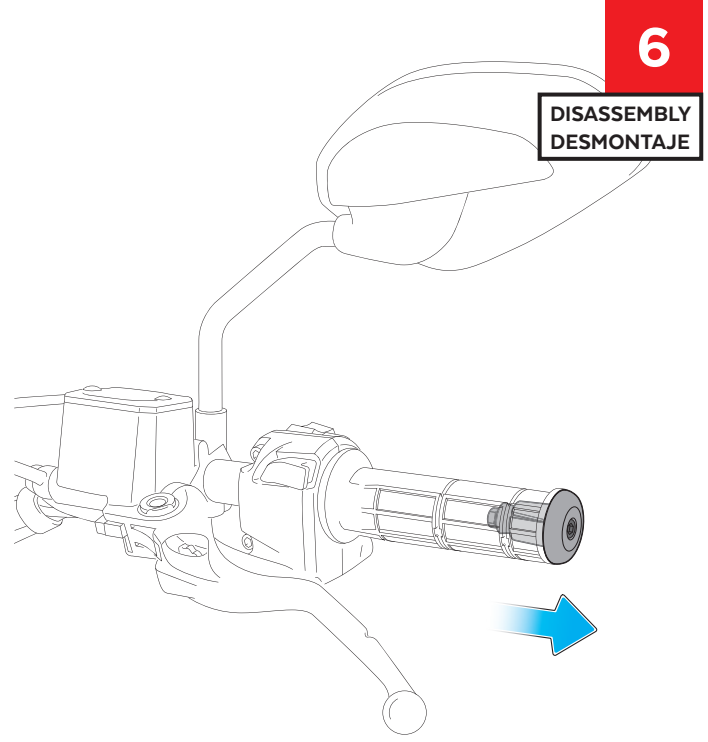
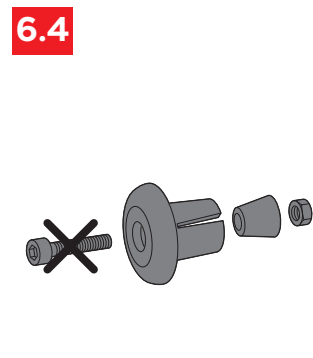
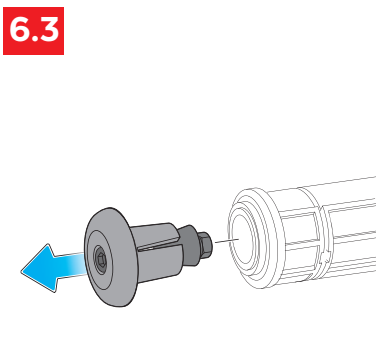
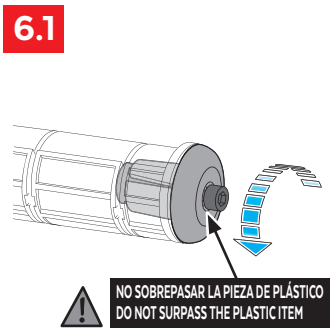
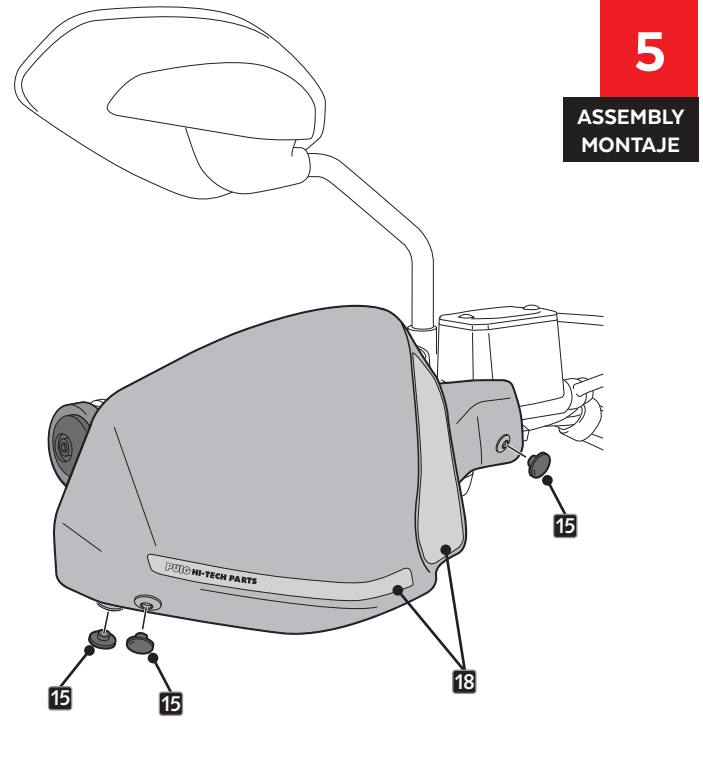
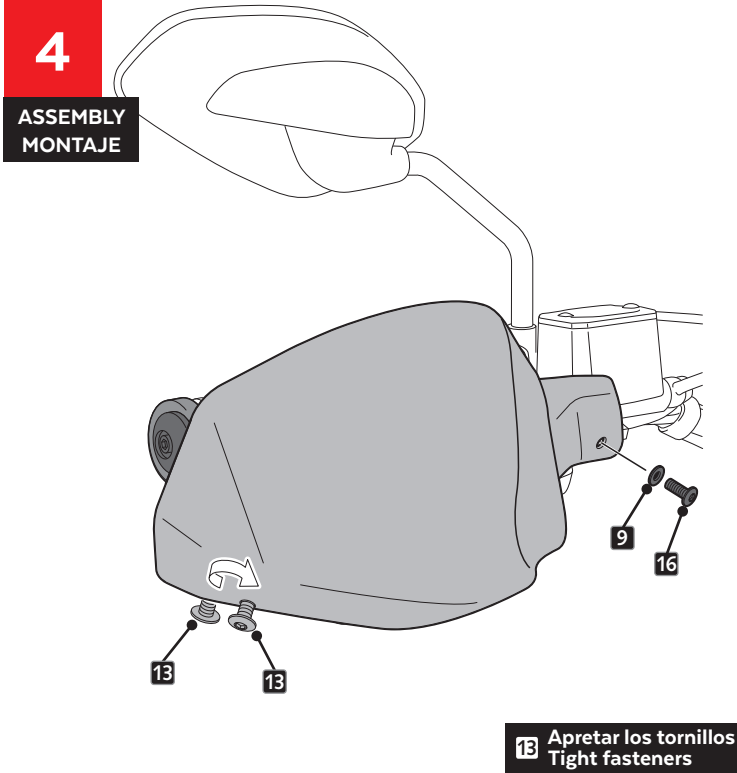
ASSEMBLY
MONTAJE



1 Ajustar posición paramanos
Adjust handguard position

DUCATI SCRAMBLER (WITH HYDRAULIC CLUTCH)

INSTRUCCIONES DE MONTAJE - MOUNTING INSTRUCTIONS - MONTAGEANLEITUNG



DUCATI SCRAMBLER (WITH HYDRAULIC CLUTCH)

INSTRUCCIONES DE MONTAJE - MOUNTING INSTRUCTIONS - MONTAGEANLEITUNG

