



**MODEL** YAMAHA MT-10

**YEAR** 2016 -->

**LINE** SLIP ON

**MUFFLER** M3

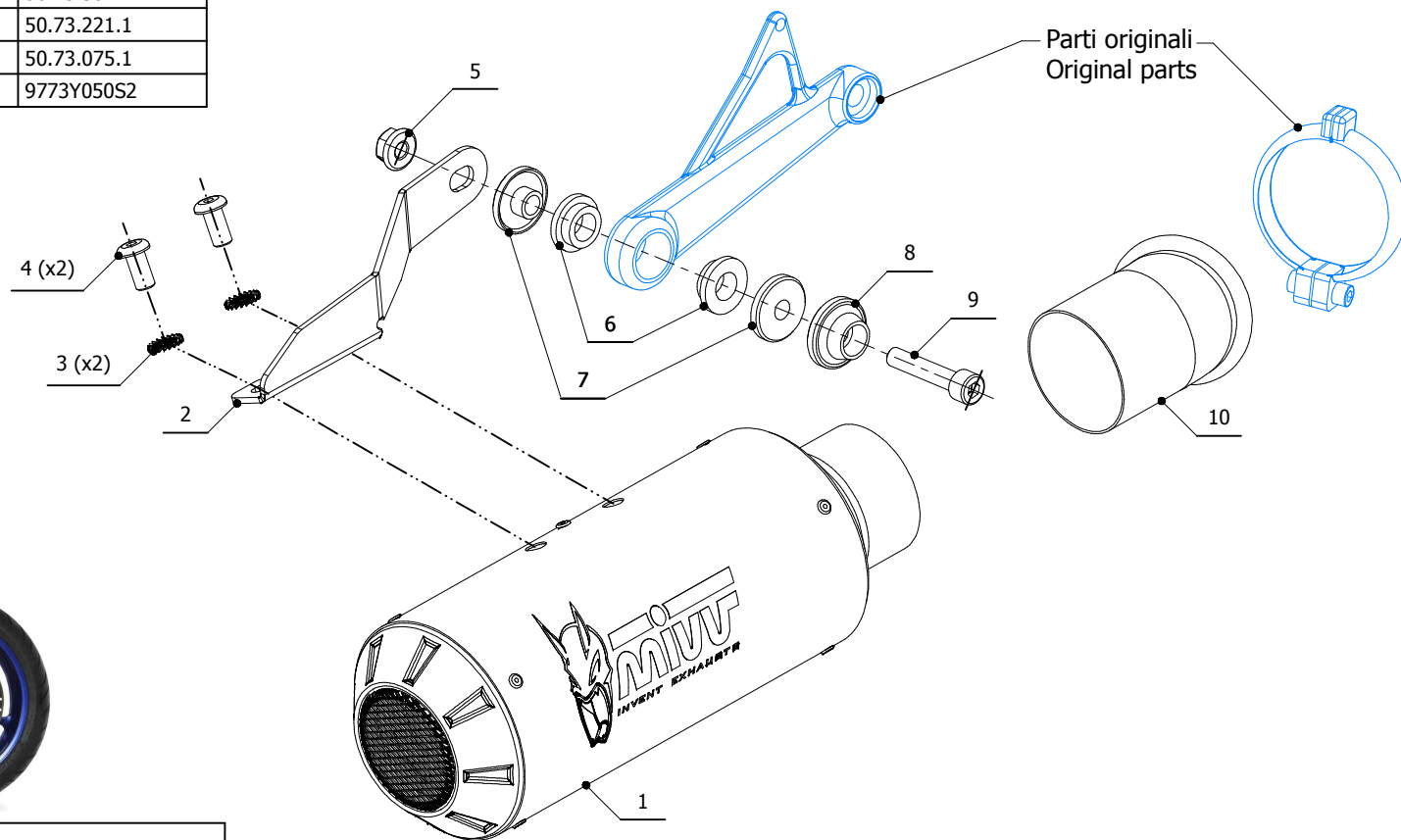
**SCHEMATIC**

**ELENCO PARTI / PARTS LIST**

#	QTÀ / QTY	DESCRIZIONE / DESCRIPTION	CODICE / CODE
1	1	Silenziatore / Muffler	M3 Øi 55
2	1	Staffa / Bracket	50.SS.1139.0
3	2	Rondella di sicurezza / Safety washer	50.73.604.1
4	2	Vite M8 x 16 / Screw M8 x 16	50.73.098.1
5	1	Dado M8 flangiato / Flanged nut M8	50.73.393.1
6	2	Silentblock / Silentblock	50.73.380.1
7	2	Boccola / Bush	50.73.381.1
8	1	Rondella in alluminio nera / Black aluminium washer	50.73.221.1
9	1	Vite M8x40 / Screw M8x40	50.73.075.1
10	1	Tube di raccordo / Link pipe	9773Y050S2



**OPTIONAL PARTS**  
Y.057.C1 - NO KAT PIPE



**APPLICAZIONI / APPLICATIONS**

CODICE / CODE	SILENZIATORE / MUFFLER	LOGO	TUBO / PIPE
Y.057.LM3B	STEEL BLACK	LASER	
Y.057.LM3C	CARBONIO / CARBON FIBER	ALUMINIUM LABEL	INOX / ST. STEEL
Y.057.LM3X	INOX / ST. STEEL	LASER	