



MODEL YAMAHA MT-03

YEAR 2016-

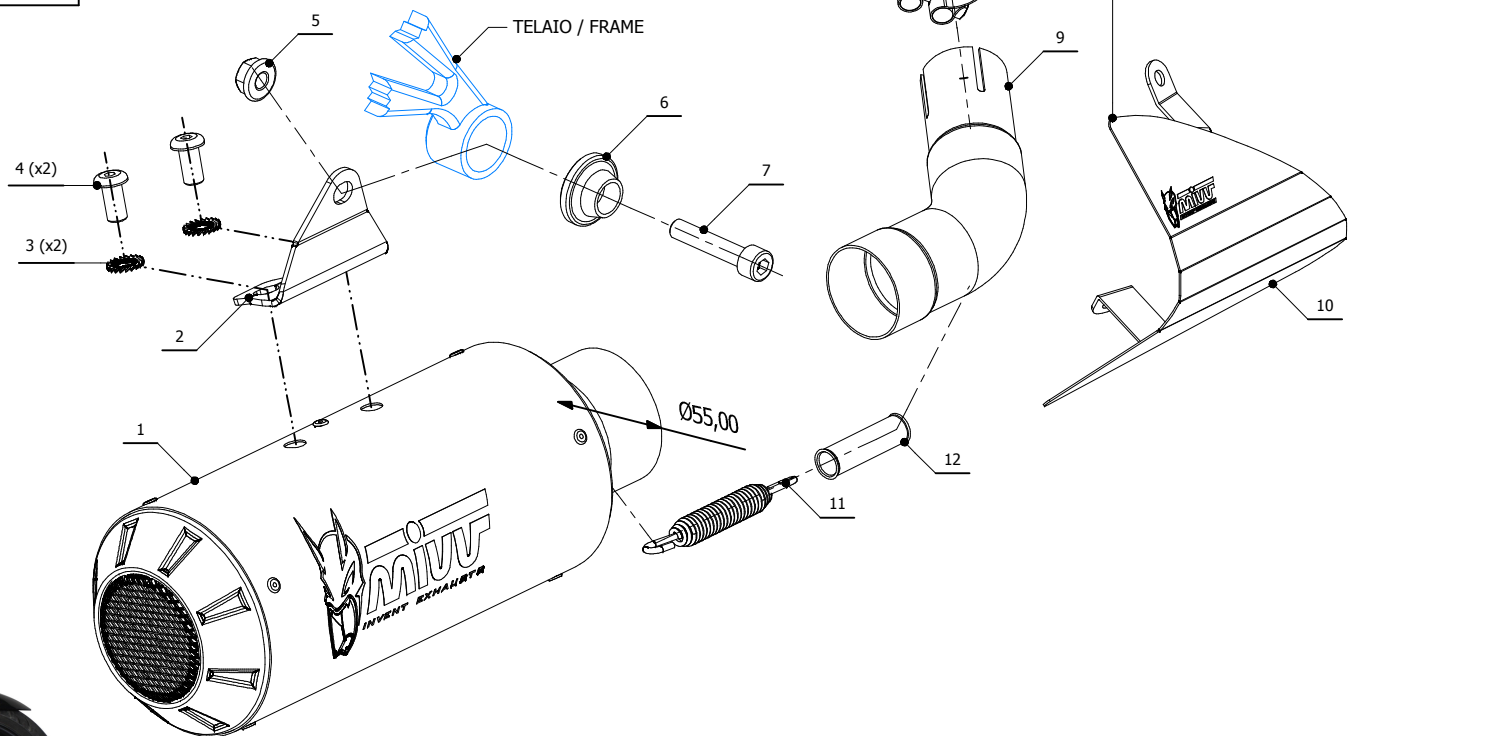
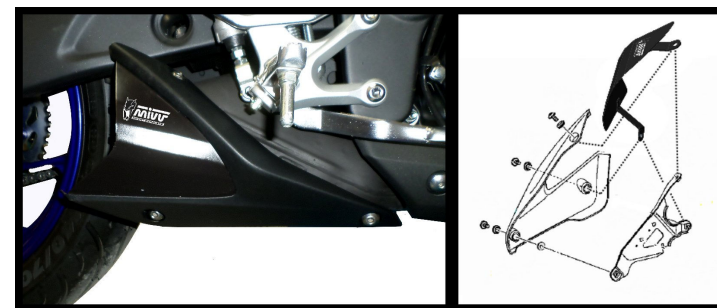
LINE SLIP ON

MUFFLER MK3

SCHEMATIC

ELENCO PARTI / PARTS LIST

| # | QTÀ / QTY | DESCRIZIONE / DESCRIPTION | CODICE / CODE |
|----|-----------|---|---------------|
| 1 | 1 | Silenziatore / Muffler | MK3 Øi 55 |
| 2 | 1 | Staffa / Bracket | 50.SS.1198.0 |
| 3 | 2 | Rondella di sicurezza / Safety washer | 50.73.604.1 |
| 4 | 2 | Vite M8 x 16 / Screw M8 x 16 | 50.73.098.1 |
| 5 | 1 | Dado M8 flangiato / Flanged nut M8 | 50.73.393.1 |
| 6 | 1 | Rondella in alluminio nera / Black aluminium washer | 50.73.221.1 |
| 7 | 1 | Vite M8x40 / Screw M8x40 | 50.73.075.1 |
| 8 | 1 | Fascetta Ø 31/34 mm / Pipe clamp Ø 31/34 mm | 50.FA.001.1 |
| 9 | 1 | Tubo di raccordo / Link pipe | 9773Y055S2 |
| 10 | 1 | Cover acciaio nero / Black steel cover | 50.CR.028.0 |
| 11 | 1 | Molla lunga / Long spring | 50.71.080.1 |
| 12 | 1 | Tubo in gomma per molla / Rubber pipe for spring | 50.73.210.1 |



APPLICAZIONI / APPLICATIONS

| CODICE / CODE | SILENZIATORE / MUFFLE | LOGO | TUBO / PIPE |
|---------------|-------------------------|-----------------|------------------|
| Y.055.SM3B | STEEL BLACK | LASER | |
| Y.055.SM3C | CARBONIO / CARBON FIBER | ALUMINIUM LABEL | INOX / ST. STEEL |
| Y.055.SM3X | INOX / ST. STEEL | LASER | |